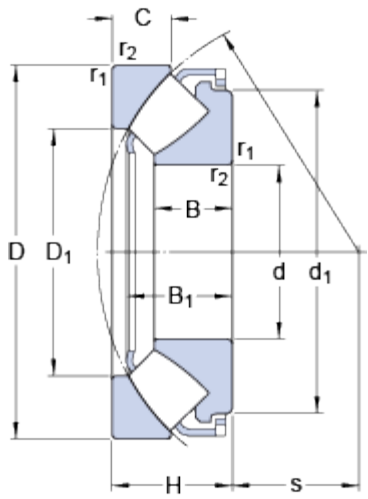


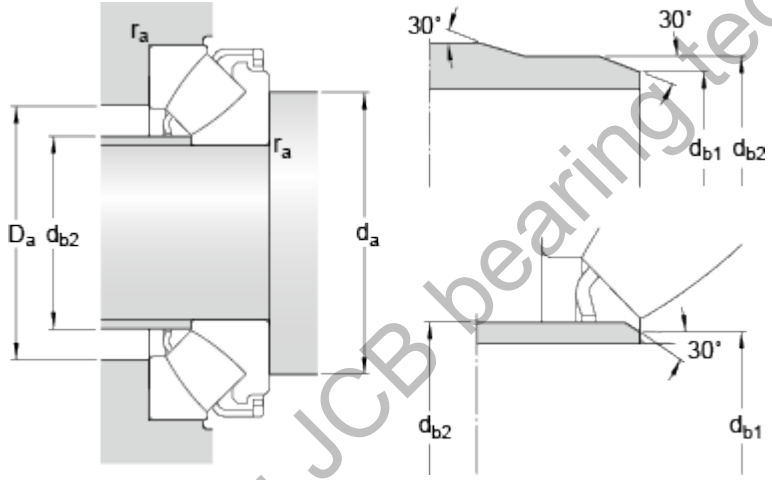
# 29430 E

## Dimensions



d	150	mm
D	300	mm
H	90	mm
d <sub>1</sub>	≈ 262	mm
D <sub>1</sub>	≈ 208	mm
B	58	mm
B <sub>1</sub>	80.8	mm
C	43.4	mm
s	92	mm
r <sub>1,2</sub>	min. 4	mm

## Abutment dimensions



d <sub>a</sub>	min. 220	mm
d <sub>b1</sub>	max. 163	mm
d <sub>b2</sub>	max. 175	mm
D <sub>a</sub>	max. 253	mm
r <sub>a</sub>	max. 3	mm

## Calculation data

Basic dynamic load rating	C	1860	kN
Basic static load rating	C <sub>0</sub>	5100	kN
Fatigue load limit	P <sub>u</sub>	520	kN
Reference speed		1200	r/min
Limiting speed		2200	r/min
Minimum axial load factor	A	2.5	

## Mass

Mass bearing		28	kg
--------------	--	----	----